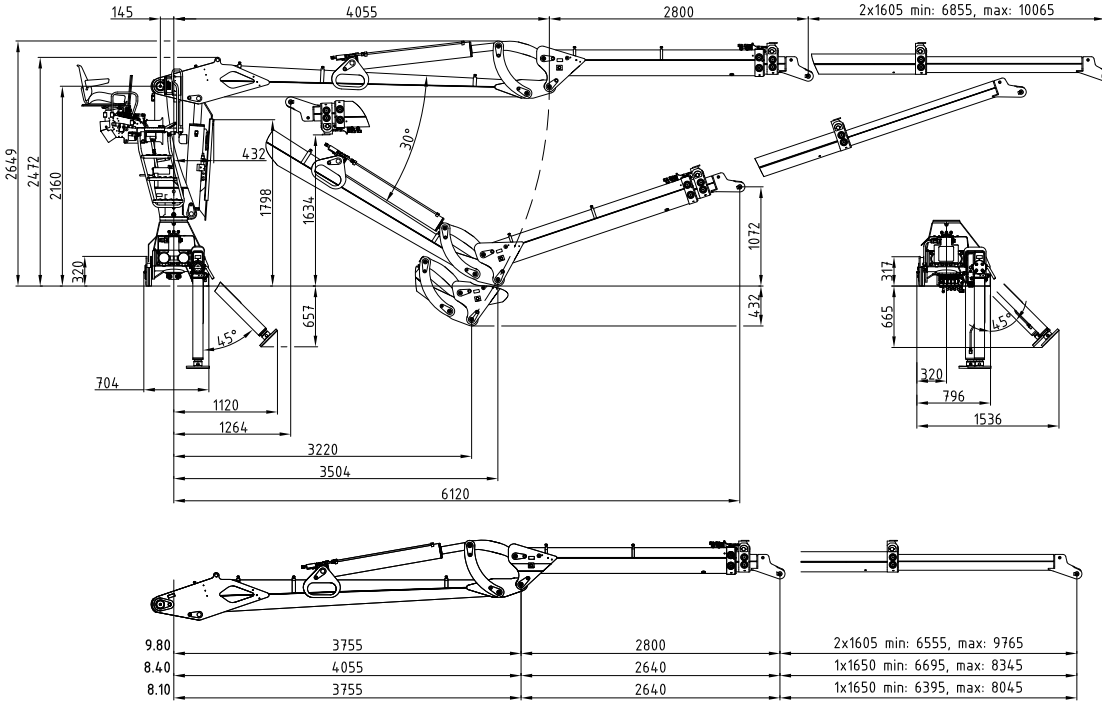
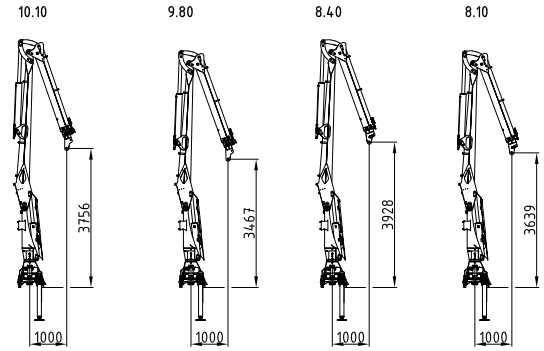
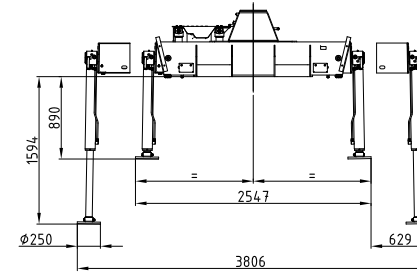


# 15LR 16Lp+R

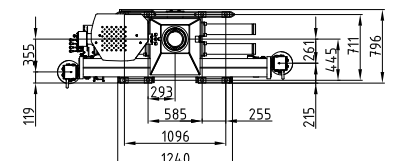
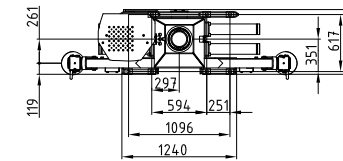
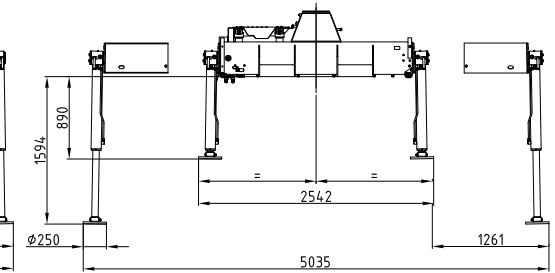
132 - 151 kNm	8 - 10,1 m	3,5 - 3,9 m	3,8 - 5 m	2.205 - 2.490 kg	415°	25 kNm	260 - 300 bar	Minimum 80 l/min	Minimum 65 l/min	Minimum 150 l/min
								~ 40 kW	~ 66 kW	~ 76 kW



Socket schmal  
Crane base small

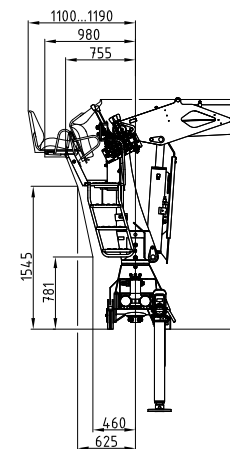


Socket breit  
Crane base wide

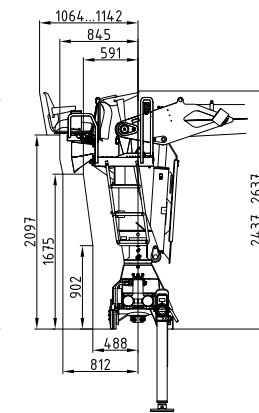


9.80	3755	2800	2x1605 min: 6555, max: 9765
8.40	4055	2640	1x1650 min: 6695, max: 8345
8.10	3755	2640	1x1650 min: 6395, max: 8045

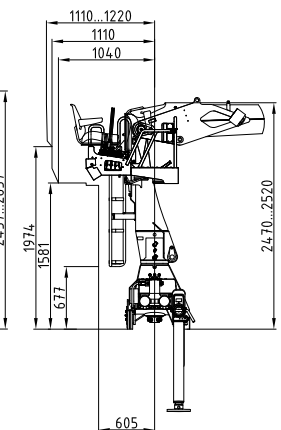
Rücksitz 01  
Back seat 01



Rücksitz 04  
Back seat 04

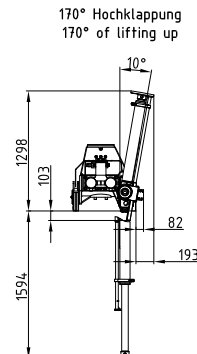


Seitensitz 04  
Side seat 04



15L10.10R	3250	2675	2225	1900	1640	1435	[kg]
16Lp+10.10R	3600	2960	2460	2100	1810	1585	[kg]
15L9.80R	3260	2685	2230	1910	1650	1440	[kg]
16Lp+9.80R	3610	2970	2465	2110	1820	1590	[kg]
15L8.40R	3330	2755	2300	1965	1705		[kg]
16Lp+8.40R	3690	3050	2545	2170	1885		[kg]
15L8.10R	3345	2775	2315	1980			[kg]
16Lp+8.10R	3710	3070	2560	2190			[kg]

4m 5m 6m 7m 8m 9m



170° Hochklappung  
170° of lifting up