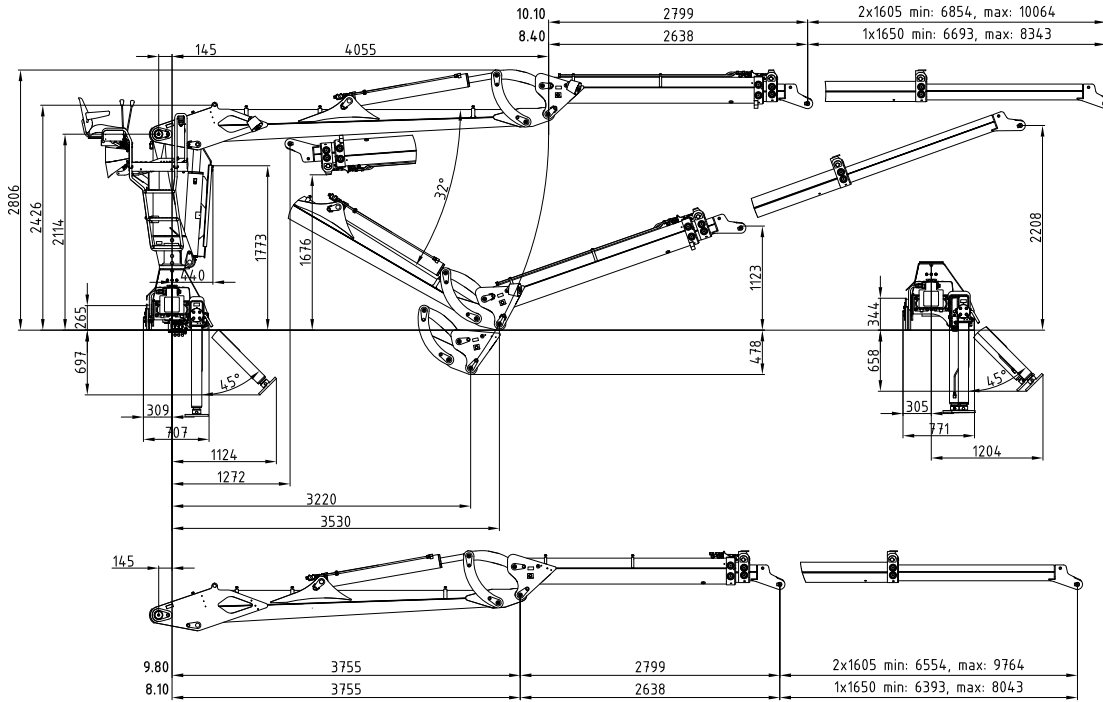
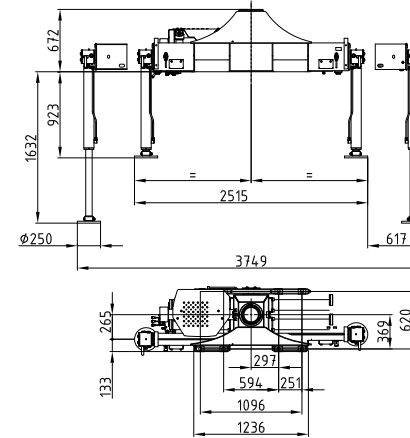


12L 13Lp+

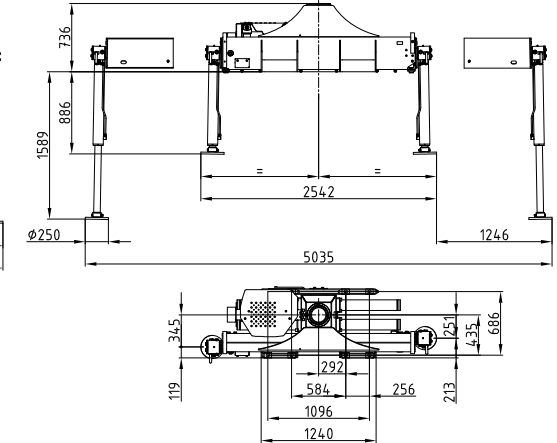
| | | | | | | | | | | |
|------------------|-------------|----------------|--------------|---------------------|------|--------|------------------|---------------------------------------|--------------------------------------|---------------------------------------|
| | | | | | | | | | | |
| 109 - 126 kNm | 8 - 10 m | 3,4 - 3,9 m | 3,8 - 5 m | 2.135 - 2.420 kg | 425° | 25 kNm | 230 - 255 bar | 1x Minimum 100 l/min ~ 45 kW | 2x Minimum 65 l/min ~ 58 kW | LS Minimum 160 l/min ~ 71 kW |



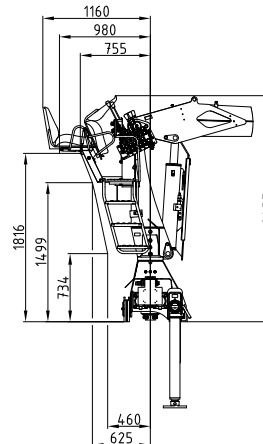
Kransockel schmal
Crane base small



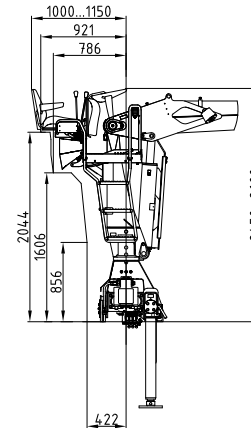
Kransockel breit
Crane base wide



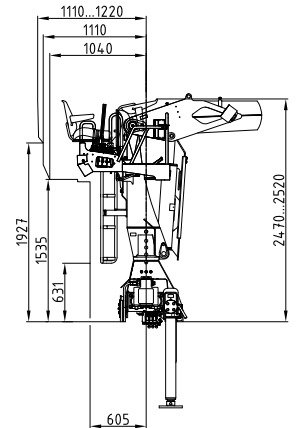
Rücksitz 01
Back seat 01



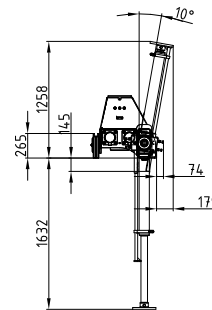
Rücksitz 04
Back seat 04



Seitensitz 04
Side seat 04



170° Hochklappung
170° of lifting up



| | | | | | | | | |
|--|------------|------|------|------|------|------|------|------|
| | 12L10.10 | 2705 | 2220 | 1845 | 1565 | 1355 | 1195 | [kg] |
| | 13Lp+10.10 | 2995 | 2455 | 2040 | 1730 | 1495 | 1315 | [kg] |
| | 12L9.80 | 2715 | 2230 | 1850 | 1575 | 1365 | 1200 | [kg] |
| | 13Lp+9.80 | 3005 | 2465 | 2045 | 1740 | 1505 | 1320 | [kg] |
| | 12L8.40 | 2785 | 2300 | 1920 | 1630 | 1420 | | [kg] |
| | 13Lp+8.40 | 3080 | 2540 | 2120 | 1800 | 1565 | | [kg] |
| | 12L8.10 | 2800 | 2320 | 1935 | 1655 | 1430 | | [kg] |
| | 13Lp+8.10 | 3100 | 2565 | 2135 | 1825 | 1575 | | [kg] |
| | | 4m | 5m | 6m | 7m | 8m | 9m | |